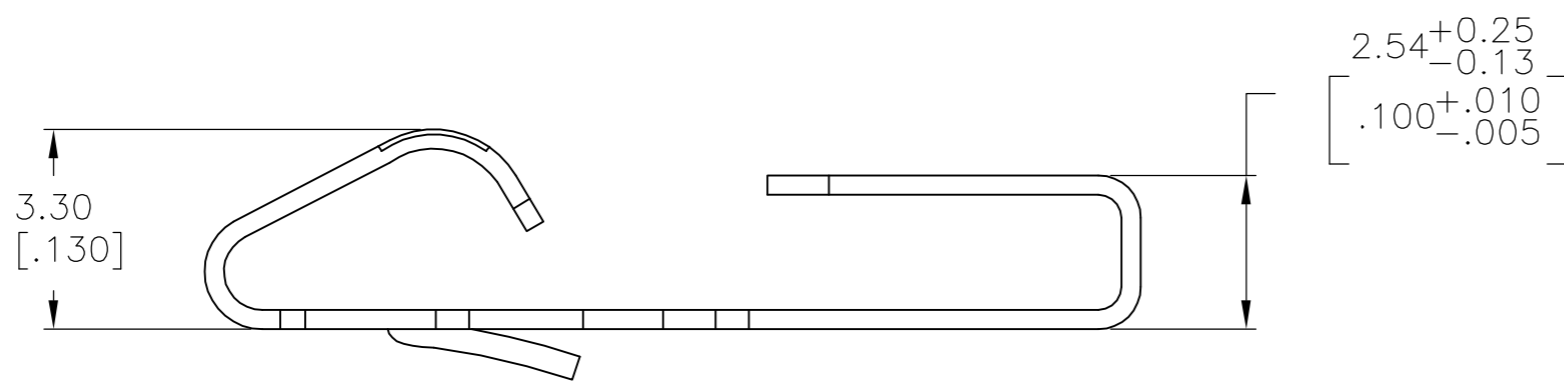
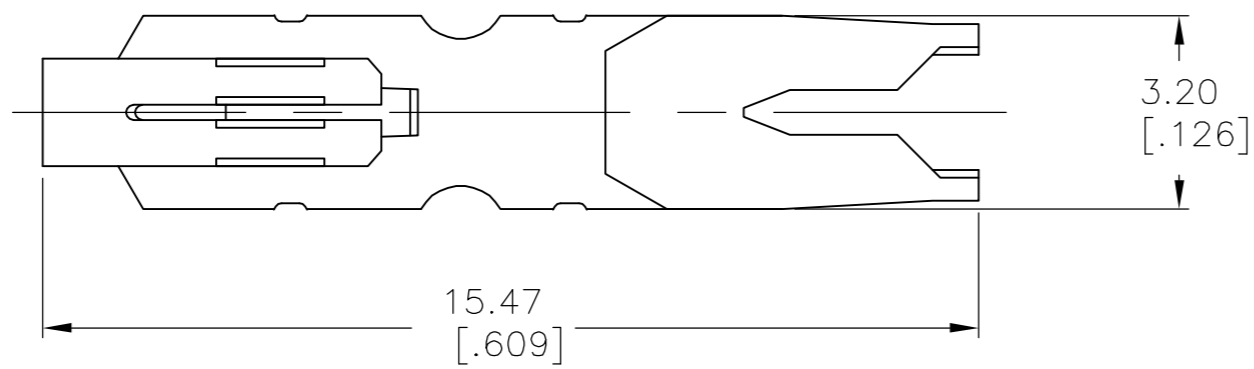


THIS DRAWING IS UNPUBLISHED. RELEASED FOR PUBLICATION  
 © COPYRIGHT BY TYCO ELECTRONICS CORPORATION. ALL RIGHTS RESERVED.

LOC	DIST	REVISIONS					
CM	00	P	LTR	DESCRIPTION	DATE	DWN	APVD
		F		EC 0G3B 0202 05	01AUG05	BSV	DB

1. DIMENSIONS IN BRACKETS ARE IN INCHES.



3-640993-1  
 PART NO.

**METRIC**

THIS DRAWING IS A CONTROLLED DOCUMENT.		DWN	24JAN92	Tyco Electronics Corporation Harrisburg, Pa 17105-3608
DIMENSIONS: mm [INCHES]		CHK	27JAN92	
TOLERANCES UNLESS OTHERWISE SPECIFIED:		APVD	30JAN92	
0 PLC ± -		PRODUCT SPEC		NAME
1 PLC ± -		APPLICATION SPEC		
2 PLC ± -		WEIGHT		SIZE
3 PLC ± 0.13 [.005]		FINISH		CAGE CODE
4 PLC ± -	0.00203 [.000080] MIN THK TIN		DRAWING NO	RESTRICTED TO
ANGLES ± -	MATERIAL		SCALE	SHEET
	0.30 [.012] THK COPPER ALLOY		8:1	1 OF 1
	CUSTOMER DRAWING		REV	F